

PRODUCTS

The *Motion Coordinator* system is extremely modular, allowing the user to tailor the controller to their specific applications, this also allows the flexibility to incorporate new modules if the need should change, making the system “future proof”. Systems may be used with a stand alone program or alternatively commands can be sent from an external computer.

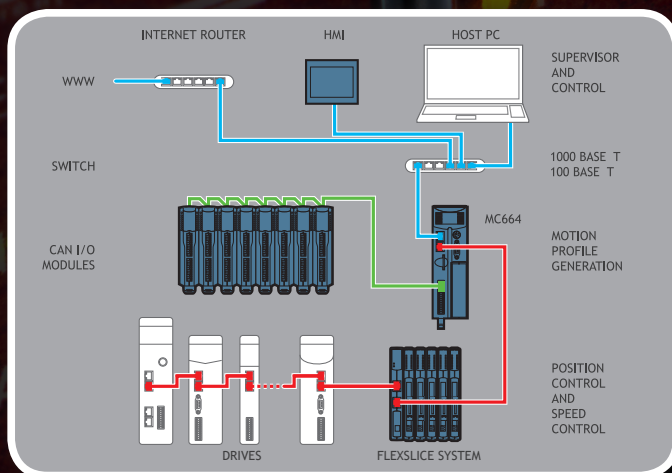
All *Motion Coordinators*, whether panel mount, rack mount, DIN-rail mount or a custom design format, allow digital or analogue I/O expansion with Trio's I/O modules. Special I/O requirements can also be accommodated using the CANopen protocol to control third party I/O modules. The Flexslice System offers fast high performance EtherCAT devices for Trio's range of EtherCAT *Motion Coordinators*.

Trio's UNIPLAY range of operator interfaces provide a robust and functional HMI using the Ethernet network. Third party HMI products, touchscreens, etc. can communicate to the *Motion Coordinator* via the Modbus-RTU serial protocol.

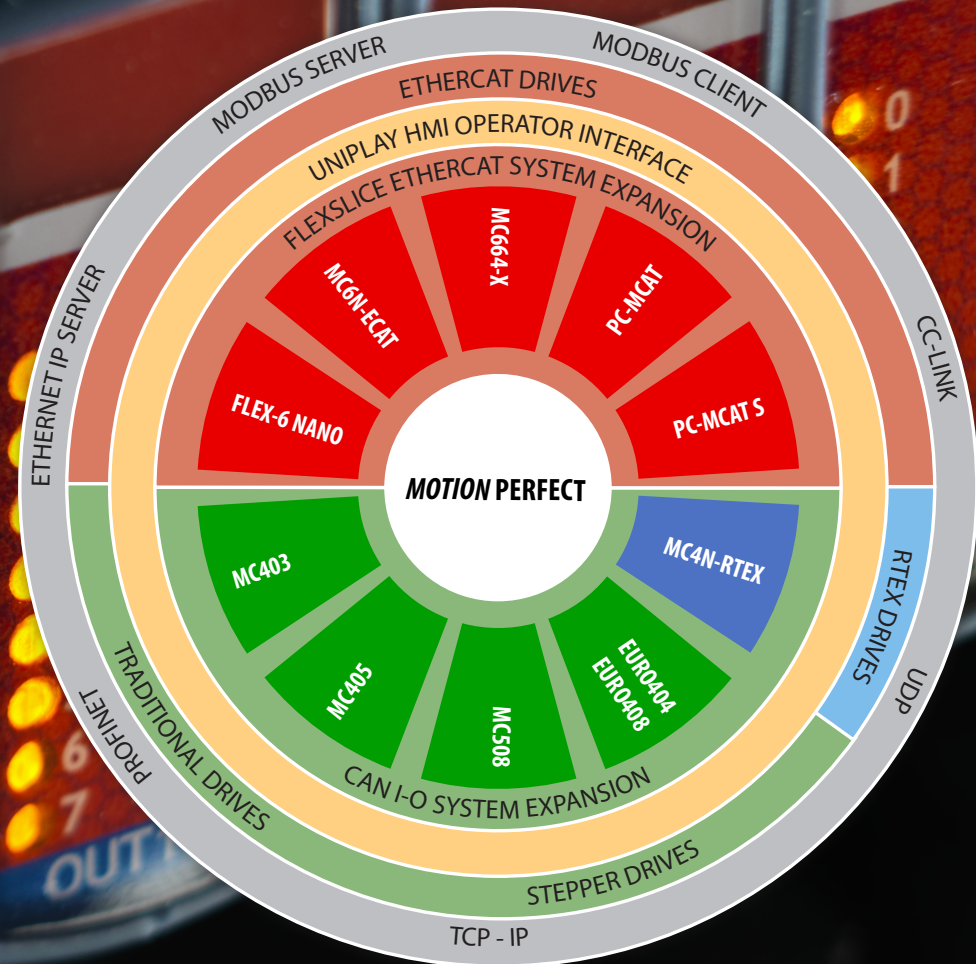
System Set-Up

The MC4/5/6 range includes advanced networking technology for connection to Digital Servos, CANbus and Factory Networks. Access to all parts of the system by network connections allows reduced down-time with automated fault reporting and analysis.

With a MC664 *Motion Coordinator*, it is possible to control a machine with up to 128 axes (64 stepper/servo and 64 virtual), 1024 digital inputs, 1024 digital outputs, 32 analogue inputs and 16 analogue outputs.



Preliminary specifications may change without notice



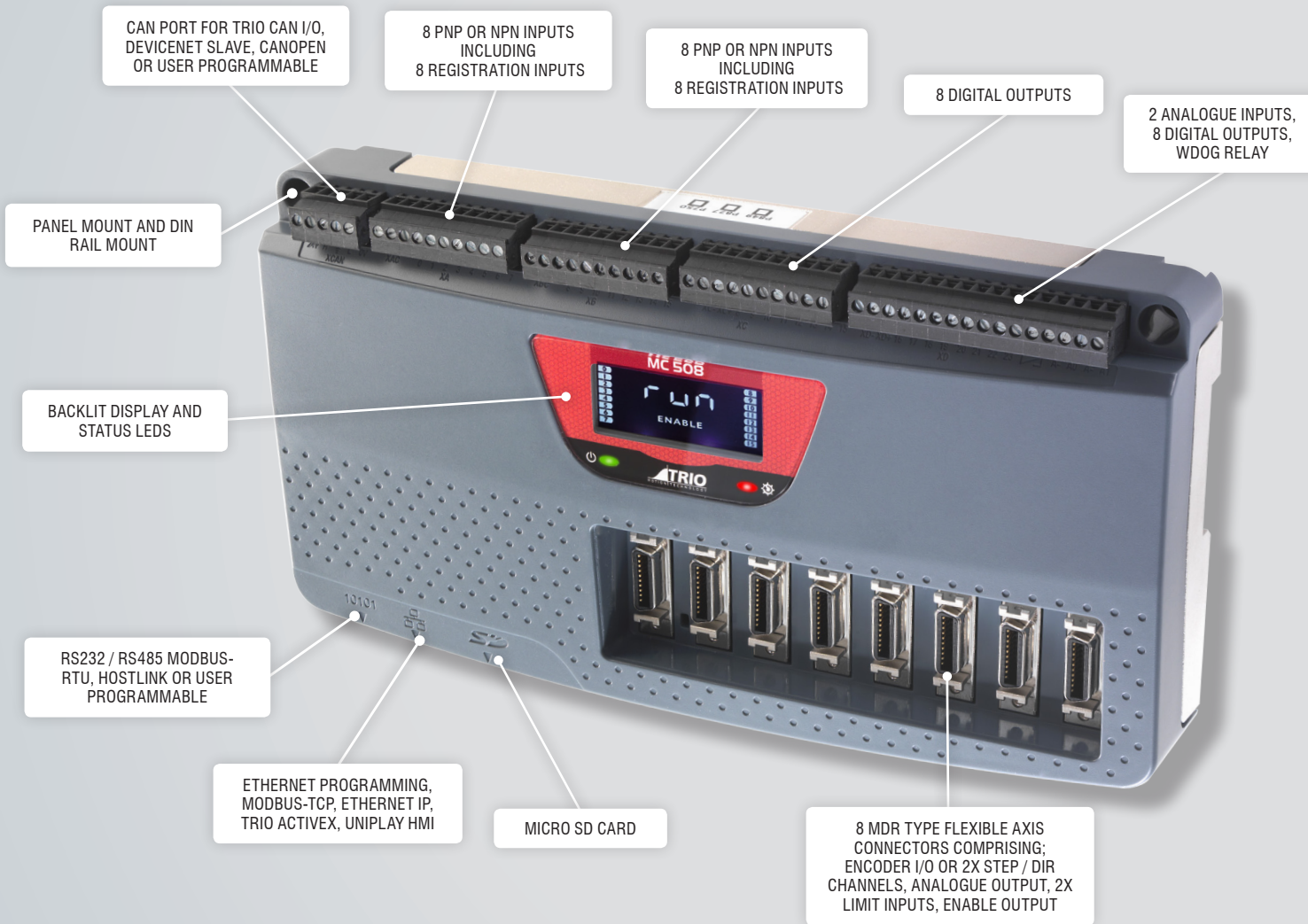
UK | USA | CHINA | INDIA | WWW.TRIOMOTION.COM





MC508

8/16 Axis Motion Coordinator



FEATURES

- * Advanced 8 Axis Closed Loop Servo / 16 Axis Pulse Direction
- * Total of 32 Digital Inputs and 16 Digital Outputs
- * Linear, Circular, Helical and Spherical Interpolation
- * Flexible CAM shapes, Linked Motion
- * EnDAT, BiSS and SSI Absolute Encoder Supported
- * Hardware Linked Outputs for Camera / Laser Control
- * Ethernet-IP / Modbus TCP / Ethernet Interface Built-In
- * 125 – 2000 μ sec Selectable Servo Update
- * Precise 64 bit 800 MHz Motion Calculations on ARM A9 Processor with VFP
- * IEC 61131-3 Programming
- * Multi-tasking BASIC Programming
- * Text File Handling
- * Robotic Transformations
- * Micro SD Memory Card Slot
- * CANopen I/O Expansion
- * Backlit LCD Display
- * RoHS, UL and CE Approved

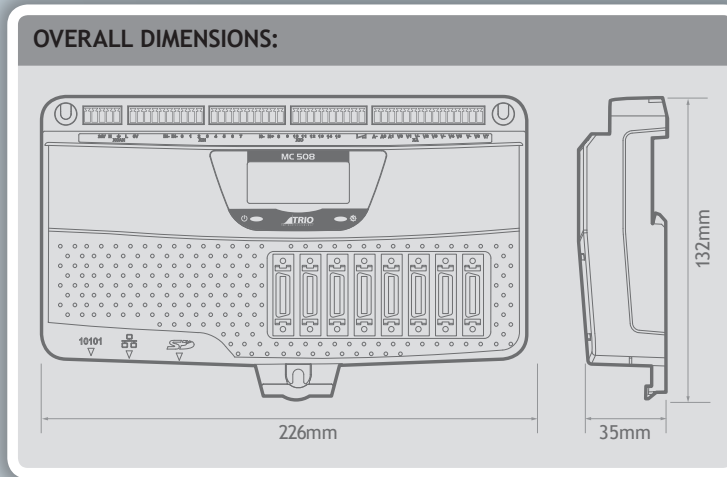
The MC508 is a high specification *Motion Coordinator* using a high performance ARM Cortex A9 800 Mhz Processor, with eight Voltage analogue outputs and eight flexible axis ports, that can be configured for up to sixteen pulse and direction output axes or eight closed loop servo axes. It boasts 128 MBytes of RAM; 32 of which is for user programs and user table space.

The flexible axis MDR type connectors allow single cable connection from the MC508 to your drive. The port can be configured in software as feedback devices or pulse direction outputs. As outputs they can be used as pulse and direction with stepper or servo drives or they can operate as a simulated encoder output. When configured as feedback they can be either incremental encoder input or one of four popular absolute encoder types; SSI, BiSS, Tamagawa or EnDAT. All feedback axes can be used to form a closed loop servo with a analogue output.

The built-in Ethernet port allows programming and connection of common HMI and PLC protocols directly to the MC508. User programs can be written in Trio's established multi-tasking TrioBASIC language using the powerful *Motion Perfect v4* application development software making complex motion easy. Also available are the industry standard IEC 61131-3 languages allowing a fully functional PLC programming system.

The MC508 is available in 2 different axis configurations. Both models feature a total of 32 axes in software. Any axes not assigned to built-in hardware can be used as a virtual axis. Every axis can be programmed to move using linear, circular, helical or spherical interpolation, electronic cams, linked axes and gearboxes.

A bright easy to read backlit display enables the controller status to be easily determined, whilst the single piece metal cast backplate provides an integrated earth chassis to improve noise rejection in the industrial environment.



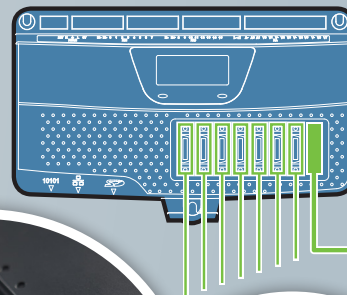
MC508 PRODUCT OPTIONS

	P848	P849
Axis 0	Core	Extended + AS
Axis 1	Core	Extended + AS
Axis 2	Core	Extended + AS
Axis 3	Core	Extended + AS
Axis 4	Core	Extended + AS
Axis 5	Core	Extended + AS
Axis 6	Core	Extended + AS
Axis 7	Core	Extended + AS
Axis 8	-	Step / Dir Only
Axis 9	-	Step / Dir Only
Axis 10	-	Step / Dir Only
Axis 11	-	Step / Dir Only
Axis 12	-	Step / Dir Only
Axis 13	-	Step / Dir Only
Axis 14	-	Step / Dir Only
Axis 15	-	Step / Dir Only

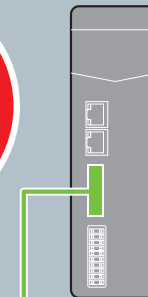
CORE AXES – can be configured in software as pulse and direction outputs to stepper or servo drives. They can also be configured for incremental encoder feedback or simulated encoder output.

EXTENDED AXES – in addition to the Core functionality these axes can also be configured for SSI, Tamagawa, BiSS or EnDat absolute encoders.

AS - Analogue 'closed loop' Servo using built-in $\pm 10V$ analogue output.

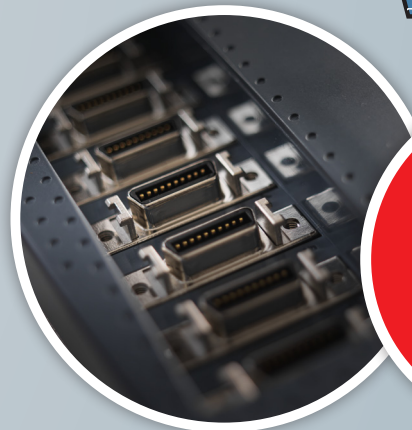


- * +/-10 Volts Encoder
- * Enable Outputs
- * Axis Inputs



ACCESSORIES:

P317 - P327	CAN I/O Modules
P750	Kinematic Runtime FEC
P843 - P844	UNIPLAY 7" & 10" HMI's



Easy Plug and play to your drive using MDR Connectors.