



Clevises - Rod Ends



**3D-STEP
DOWNLOADS**

Rod Ends

MAINTENANCE-FREE

AVAILABLE ► ZINC PLATED

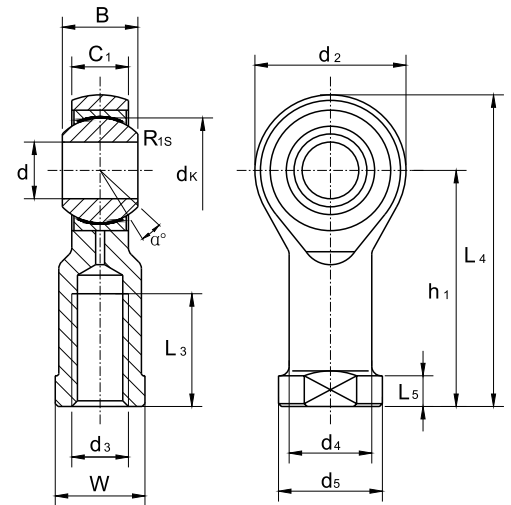
SS 304



SI



SSI



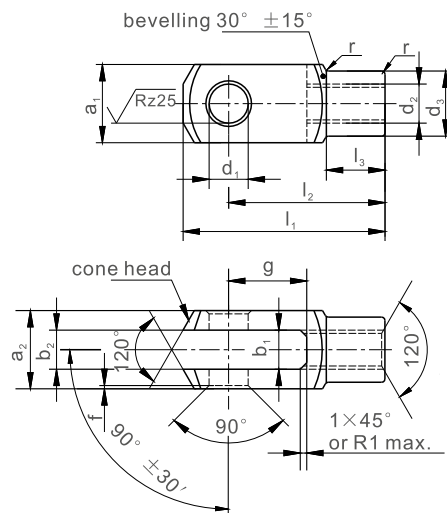
Part No.	Dimensions (mm)														Weight (kg)
	d	d ₃ 6H	B	C ₁	W	h ₁	d ₂	L ₄	L ₅	d ₄	d ₅	d _k	L ₃ -2	α =	
SI 5	5	M5 × 0.8	8	6	9	27	18	36	4	8.5	11	11.11	10	13	0.016
SI 6	6	M6 × 1.0	9	6.75	11	30	20	40	5	10	13	12.70	12	13	0.022
SI 8	8	M8 × 1.25	12	9	14	36	24	48	5	12.5	16	15.875	16	14	0.047
SI 10	10	M10 × 1.5	14	10.5	17	43	28	57	6.5	15	19	19.05	20	13	0.077
SI 10 MF	10	M10 × 1.25	14	10.5	17	43	28	57	6.5	15	19	19.05	20	13	0.077
SI 12	12	M12 × 1.75	16	12	19	50	32	66	6.5	17.5	22	22.225	22	13	0.100
SI 12 MF	12	M12 × 1.25	16	12	19	50	32	66	6.5	17.5	22	22.225	22	13	0.100
SI 14 MF	14	M14 × 1.5	19	13.5	22	57	36	75	8	20	25	25.40	25	16	0.160
SI 16 MF	16	M16 × 1.5	21	15	22	64	42	85	8	22	27	28.575	28	15	0.220
SI 18 MF	18	M18 × 1.5	23	16.5	27	71	44	93	10	25	31	31.75	32	15	0.320
SI 20 MF	20	M20 × 1.5	25	18	30	77	50	102	10	27.5	34	34.925	33	14	0.420

Part No.	Dimensions (mm)														Weight (kg)
	d	d ₃ 6H	B	C ₁	W	h ₁	d ₂	L ₄	L ₅	d ₄	d ₅	d _k	L ₃ -2	α =	
SSI 5	5	M5 × 0.8	8	6	9	27	18	36	4	8.5	11	11.11	10	13	0.016
SSI 6	6	M6 × 1.0	9	6.75	11	30	20	40	5	10	13	12.70	12	13	0.022
SSI 8	8	M8 × 1.25	12	9	14	36	24	48	5	12.5	16	15.875	16	14	0.047
SSI 10	10	M10 × 1.5	14	10.5	17	43	28	57	6.5	15	19	19.05	20	13	0.077
SSI 10 MF	10	M10 × 1.25	14	10.5	17	43	28	57	6.5	15	19	19.05	20	13	0.077
SSI 12	12	M12 × 1.75	16	12	19	50	32	66	6.5	17.5	22	22.225	22	13	0.100
SSI 12 MF	12	M12 × 1.25	16	12	19	50	32	66	6.5	17.5	22	22.225	22	13	0.100
SSI 16 MF	16	M16 × 1.5	21	15	22	64	42	85	8	22	27	28.575	28	15	0.220
SSI 20 MF	20	M20 × 1.5	25	18	30	77	50	102	10	27.5	34	34.925	33	14	0.420

Clevises

DIN71752 / DIN ISO8140 / CETOP

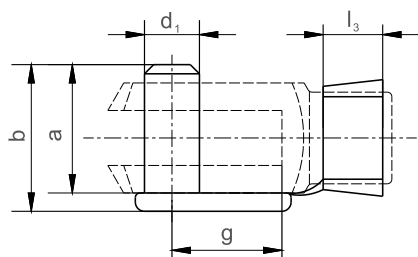
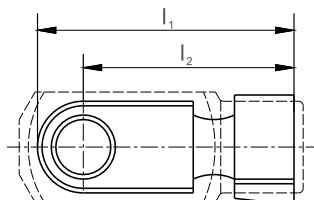
AVAILABLE ► ZINC PLATED

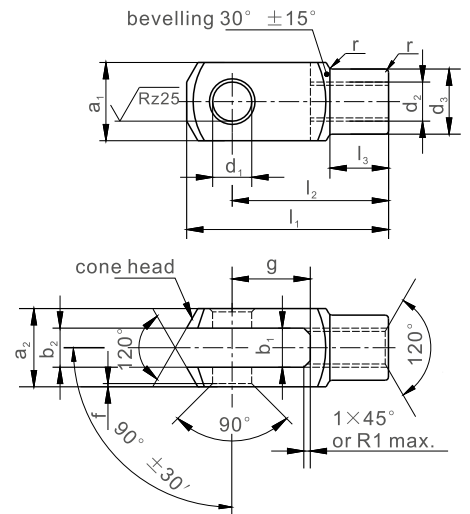


Part No.	Dimensions (mm)											Weight (kg)				
	d ₁	g	a ₁	a ₂	b ₁	b ₂		d ₂		d ₃	f	l ₁	l ₂	l ₃	r	Kg=
	H9	±0.5	h11	+0.30 -0.16	B13	Adm. Variation	Regular thread	Fine-pitch thread	±0.3	±0.2	±0.5	Adm. Variation	±0.2			
G 5 × 10	5	10	10	10	5	5	B13	M5 × 0.8	9	0.5	26	20	± 0.3	7.5	0.5	0.009
G 6 × 12	6	12	12	12	6	6	B13	M6 × 1	10	0.5	31	24	± 0.3	9.0	0.5	0.015
G 8 × 16	8	16	16	16	8	8	B13	M8 × 1.25	14	0.5	42	32	± 0.4	12.0	0.5	0.037
G 10 × 20	10	20	20	20	10	10	B13	M10 × 1.5	18	0.5	52	40	± 0.4	15.0	0.5	0.074
G 10 × 20 MF	10	20	20	20	10	10	B13	M10 × 1.25	18	0.5	52	40	± 0.4	15.0	0.5	0.074
G 12 × 24	12	24	24	24	12	12	+0.7 +0.15	M12 × 1.75	20	0.5	62	48	± 0.4	18.0	0.5	0.121
G 12 × 24 MF	12	24	24	24	12	12	+0.7 +0.15	M12 × 1.25	20	0.5	62	48	± 0.4	18.0	0.5	0.121
G 16 × 32 MF	16	32	32	32	16	16	+0.7 +0.15	M16 × 1.5	26	1.0	83	64	± 0.4	24.0	1.0	0.282
G 20 × 40 MF	20	40	40	40	20	20	+0.7 +0.15	M20 × 1.5	34	1.0	105	80	± 0.4	30.0	1.5	0.55

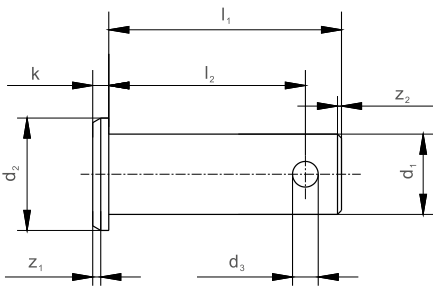


Part No.	Suitable for clevis	Dimensions (mm)					Weight (kg)		
		d ₁	g	a	b	l ₁	l ₂	l ₃	Kg/100 pieces
		H ₁₁				≈	≈	≈	
ES 5 x 10	G 5 × 10	5	10	12.0	13.5	23.0	19.0	5.5	0.254
ES 6 x 12	G 6 × 12	6	12	14.0	16.0	28.0	23.0	6.5	0.458
ES 8 x 16	G 8 × 16	8	16	19.0	21.5	37.0	30.0	8.0	1.059
ES 10 x 20	G 10 × 20	10	20	23.0	26.0	46.0	38.0	10.0	1.938
ES 12 x 24	G 12 × 24	12	24	28.0	31.0	53.0	45.0	12.0	3.306
ES 16 x 32	G 16 × 32	16	32	36.0	39.0	73.0	62.0	16.0	6.940
ES 20 x 40	G 20 × 40	20	40	45.0	50.0	87.5	71.5	16.0	13.00



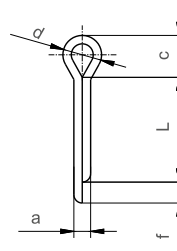
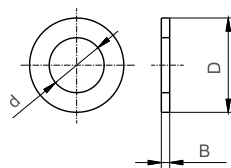


Part No.	Dimensions (mm)												Weight (kg)			
	d ₁	g	a ₁	a ₂	b ₁	b ₂	d ₂		d ₃	f	l ₁	l ₂		l ₃	r	
	H9	±0.5	h11	+0.30 -0.16	B13	Adm. Variation	Regular thread	Fine-pitch thread	±0.3	±0.2	±0.5	Adm. Variation	±0.2	Kg=		
G 6 × 12	6	12	12	12	6	6	B13	M6 × 1	10	0.5	31	24	± 0.3	9.0	0.5	0.015
G 8 × 16	8	16	16	16	8	8	B13	M8 × 1.25	14	0.5	42	32	± 0.4	12.0	0.5	0.037
G 10 × 20	10	20	20	20	10	10	B13	M10 × 1.5	18	0.5	52	40	± 0.4	15.0	0.5	0.074
G 10 × 20 MF	10	20	20	20	10	10	B13	M10 × 1.25	18	0.5	52	40	± 0.4	15.0	0.5	0.074
G 12 × 24 MF	12	24	24	24	12	12	+0.7 +0.15	M12 × 1.25	20	0.5	62	48	± 0.4	18.0	0.5	0.121
G 16 × 32 MF	16	32	32	32	16	16	+0.7 +0.15	M16 × 1.5	26	1.0	83	64	± 0.4	24.0	1.0	0.282
G 20 × 40 MF	20	40	40	40	20	20	+0.7 +0.15	M20 × 1.5	34	1.0	105	80	± 0.4	30.0	1.5	0.55



Part No.	Dimensions (mm)							Weight (kg)
	d ₁	d ₂	d ₃	l ₁	l ₂	k	Z ₁	
	h ₁₁	h ₁₄	H ₁₄	js ₁₅	±0.5	js ₁₄		
GPA 6	6	9	1.6	18	15.3	1.5	0.5	1.0
GPA 8	8	12	2.0	23	19.5	2.0	1.0	1.0
GPA 10	10	14	3.2	29	24.5	2.0	1.0	1.5
GPA 12	12	17	4.0	35	29.5	3.0	1.5	1.5
GPA 16	16	20	4.0	45	38.2	3.5	1.5	1.5
GPA 20	20	28	5.0	53	47.0	4.0	2.0	1.5

Part No.	Dimensions (mm)			Weight (kg)
	d	D	B	
GPA-R6	6.4	11	1.6	≈ Kg/100 pieces 0.70
GPA-R8	8.4	15.0	1.6	1.52
GPA-R10	10.5	18.0	1.6	2.11
GPA-R12	13.0	20.0	2.0	2.85
GPA-R16	17.0	27.0	2.0	5.42
GPA-R20	21.0	33.0	2.5	9.98



Part No.	Dimensions (mm)				
	d	a	C	f	L
GPA-C6	3.6	1.6	4.0	2.5	10
GPA-C8	5.8	2.0	6.4	3.2	16
GPA-C10	7.4	3.2	8.0	4.0	20
GPA-C12/16	7.4	4.0	8.0	4.0	32
GPA-C20/25	9.2	4.0	10.0	4.0	32

Rod End



SI

SSI



zinc plated

SI 5 M5 x 0.8

SI 6 M6 x 1

SI 8 M8 x 1.25

SI 10 M10 x 1.5

SI 10 M10 x 1.25 (MF)

SI 12 M12 x 1.75

SI 12 M12 x 1.25 (MF)

SI 14 M14 x 1.5 (MF)

SI 16 M16 x 1.5 (MF)

SI 18 M18 x 1.5 (MF)

SI 20 M20 x 1.5 (MF)

stainless steel (304)

SSI 5 M5 x 0.8

SSI 6 M6 x 1

SSI 8 M8 x 1.25

SSI 10 M10 x 1.5

SSI 10 M10 x 1.25 (MF)

SSI 12 M12 x 1.75

SSI 12 M12 x 1.25 (MF)

SSI 16 M16 x 1.5 (MF)

SSI 20 M20 x 1.5 (MF)

Clevis Set



zinc plated

G 5 x 10 M5 x 0.8 + ES 5 x 10

G 6 x 12 M6 x 1 + ES 6 x 12

G 8 x 16 M8 x 1.25 + ES 8 x 16

G 10 x 20 M10 x 1.5 + ES 10 x 20

G 10 x 20 M10 x 1.25 (MF) + ES 10 x 20

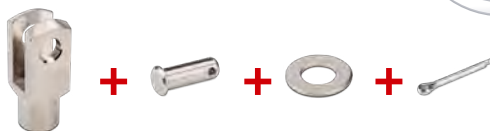
G 12 x 24 M12 x 1.75 + ES 12 x 24

G 12 x 24 M12 x 1.25 (MF) + ES 12 x 24

G 16 x 32 M16 x 1.5 (MF) + ES 16 x 32

G 20 x 40 M20 x 1.5 (MF) + ES 20 x 40

Clevis Set



stainless steel (304)

G 6 x 12 M6 x 1 + GPA 6 / R6 / C6 | 304

G 8 x 16 M8 x 1.25 + GPA 8 / R8 / C8 | 304

G 10 x 20 M10 x 1.5 + GPA 10 / R10 / C10 | 304

G 10 x 20 M10 x 1.25 (MF) + GPA 10 / R10 / C10 | 304

G 12 x 24 M12 x 1.25 (MF) + GPA 12 / R12 / C12-16 | 304

G 16 x 32 M16 x 1.5 (MF) + GPA 16 / R16 / C12-16 | 304

G 20 x 40 M20 x 1.5 (MF) + GPA 20 / R20 / C20-25 | 304



DOWNLOAD OUR COMPLETE CATALOGUE!

www.bonnekamp.eu.com

Authorized distributor

