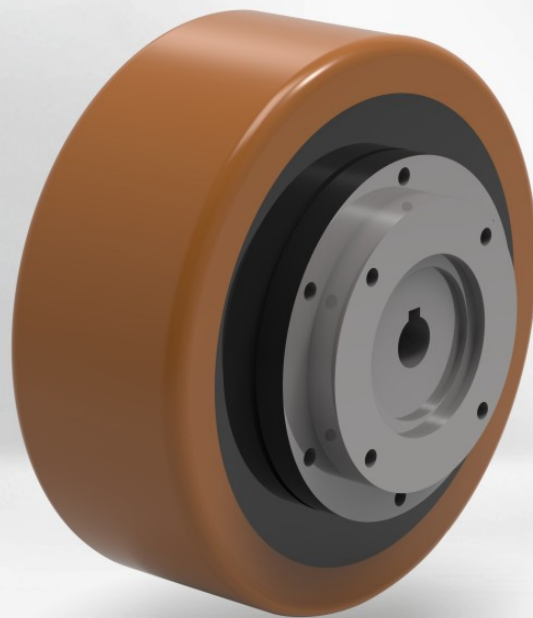


KGV

Powerful. Compact. Reliable

▶ KGV Wheel

KGV Valued Solution



KGV Wheel Specification in Metric System

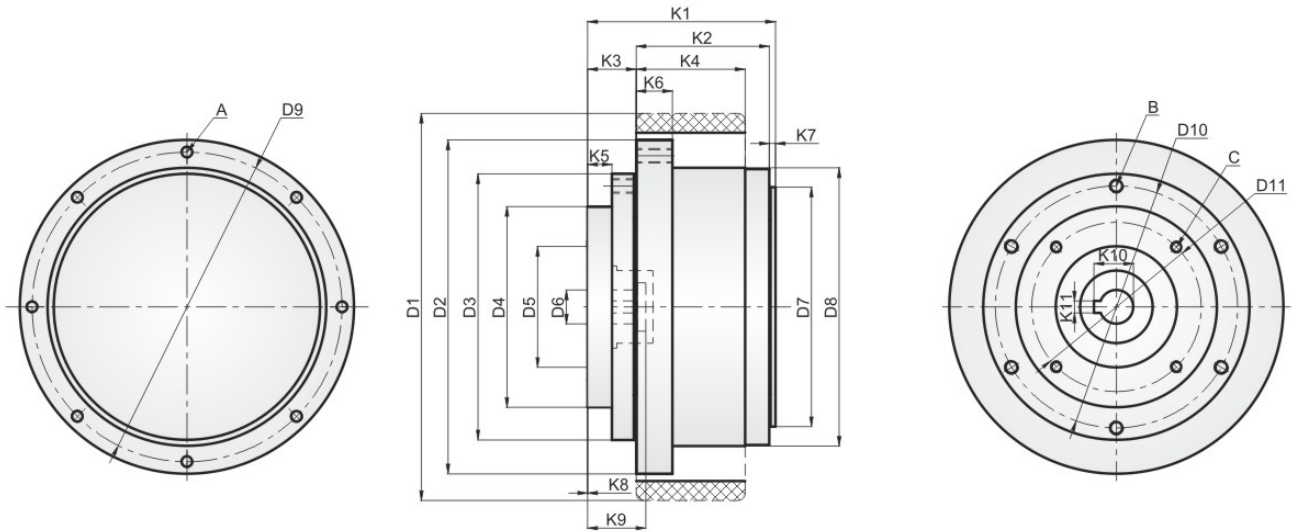
Model		KGV118W	KGV138W	KGV160W	KGV190W	Ratio	Stage	
Rated Output Torque	Nm	75	100	135	360	2	1	
		87	115	250	440	3		
		93	120	230	520	4		
		87	114	170	480	5		
		69	90	105	400	7		
		63	82	100	350	8		
		63	82	100	320	9		
	Nm	75	100	135	360	14	2	
		75	100	135	360	16		
		75	100	135	360	18		
		75	100	135	360	20		
		87	115	250	440	21		
		87	115	250	440	24		
		87	115	250	440	27		
		93	120	230	520	28		
		87	115	250	440	30		
		93	120	230	520	32		
93	120	230	520	36				
93	120	230	520	40				
Emergency Stop Torque	Nm	2 times rated output torque						
Regular Applied Servo Motor	Watt	400~750	400~750	750~1000	1000~1500			
Max Radail Force	N	4000	8000	10000	12000			
Bearing Weight Capcity	kg	400	800	1000	1200			
Full loading Efficiency	%			97			1	
				95			2	
Service lifetime	h	20,000						

Model		KGV118W	KGV138W	KGV160W	KGV190W	Ratio	Stage	
Mass Moment of Inetia	kgcm ²	0.16	0.61	3.25	12.31	2	1	
		0.14	0.48	2.74	7.54	3		
		0.13	0.47	2.71	7.42	4		
		0.13	0.47	2.62	7.25	5		
		0.13	0.44	2.62	7.14	7		
		0.13	0.44	2.57	7.14	8		
		0.13	0.44	2.57	7.14	9		
	kgcm ²	0.127	0.44	2.56	5.36	14	2	
		0.127	0.44	2.56	4.08	16		
		0.12	0.43	1.75	5.36	18		
		0.075	0.44	1.5	5.81	20		
		0.075	0.44	1.49	5.36	21		
		0.064	0.39	1.3	4.08	24		
		0.064	0.39	1.3	5.36	27		
		0.064	0.39	1.3	5.36	28		
		0.064	0.39	1.3	4.08	30		
		0.064	0.39	1.3	4.08	32		
0.075	0.39	1.5	5.36	36				
0.075	0.44	1.49	4.08	40				
Running Noise	dB(A)	58	60	63	65			
Max iput Speed	min-1	6000	6000	6000	6000			
Rated iput Speed	min-1	3000	3000	3000	3000			
Protection Class		IP65						
Working Temperature	°C	minus 25 to 90						
Installation Position		Any						
Standard Lubrication		Lifetime Synthetic Lubrication Grease						
Low Temperature Lubrication		Lifetime Synthetic Lubrication Grease						
Backlash	arcmin	≤15	≤12	≤12	≤12			
Unit Gearbox Weight	kg	3.5	5	8	13		1	
		4.5	6.5	9.5	15		2	

KGV Wheel Specification in British System

Model		KGV118W	KGV138W	KGV160W	KGV190W	Ratio	Stage	
Rated Output Torque	lb.in	664	885	1195	3186	2	1	
		770	1018	2213	3894	3		
		823	1062	2036	4602	4		
		770	1009	1505	4248	5		
		611	797	929	3540	7		
		558	726	885	3098	8		
		558	726	885	2832	9		
		664	885	1195	3186	14		
		664	885	1195	3186	16		
		664	885	1195	3186	18		
		664	885	1195	3186	20		
		770	1018	2213	3894	21	2	
		770	1018	2213	3894	24		
		770	1018	2213	3894	27		
		823	1062	2036	4602	28		
		770	1018	2213	3894	30		
		823	1062	2036	4602	32		
		823	1062	2036	4602	36		
823	1062	2036	4602	40				
Emergency Stop Torque	lb.in	2 times rated output torque						
Regular Applied Servo Motor	Watt	400~750	400~750	750~1000	1000~1500			
Max Radail Force	lb.in	17760	35520	44400	53280			
Bearing Weight Capcity	lb	880	1760	2200	2640			
Full loading Efficiency	%	97					1	
		95					2	
Service lifetime	h	20,000						

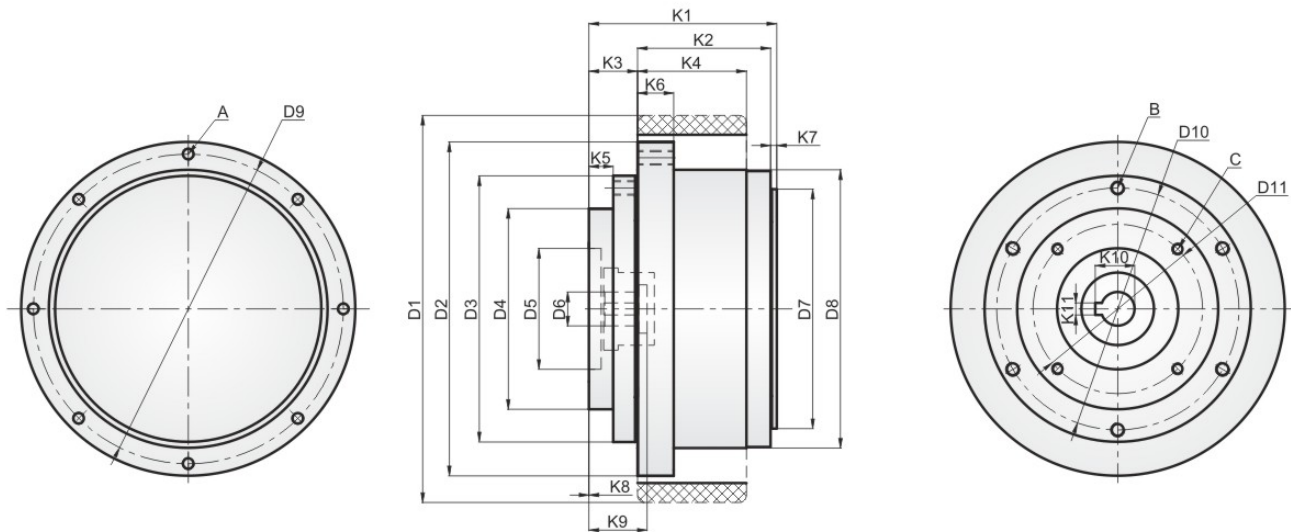
Model		KGV118W	KGV138W	KGV160W	KGV190W	Ratio	Stage	
Mass Moment of Inetia	lb.in.s ² 10 ⁻⁴	1.42	5.40	28.76	108.94	2	1	
		1.24	4.25	24.25	66.73	3		
		1.15	4.16	23.98	65.67	4		
		1.15	4.16	23.19	64.16	5		
		1.15	3.89	23.19	63.19	7		
		1.15	3.89	22.75	63.19	8		
		1.15	3.89	22.75	63.19	9		
		1.12	3.89	22.66	47.44	14		
		1.12	3.89	22.66	36.11	16		
		1.06	3.81	15.49	47.44	18	2	
		0.66	3.89	13.28	51.42	20		
		0.66	3.89	13.19	47.44	21		
		0.57	3.45	11.51	36.11	24		
		0.57	3.45	11.51	47.44	27		
		0.57	3.45	11.51	47.44	28		
		0.57	3.45	11.51	36.11	30		
		0.57	3.45	11.51	36.11	32		
		0.66	3.45	13.28	47.44	36		
0.66	3.89	13.19	36.11	40				
Running Noise	dB(A)	58	60	63	65			
Max input Speed	min ⁻¹	6000	6000	6000	6000			
Rated input Speed	min ⁻¹	3000	3000	3000	3000			
Protection Class		IP65						
Working Temperature	°F	minus 13 to 194						
Installation Position		Any						
Standard Lubrication		Lifetime Synthetic Lubrication Grease						
Low Temperature Lubrication		Lifetime Synthetic Lubrication Grease						
Backlash	arcmin	≤15	≤12	≤12	≤12			
Unit Gearbox Weight	lb	7.7	11	17.6	28.6	1		
		9.9	14.3	20.9	33	2		



KGV Wheel Dimensions in Metric System (mm)

Model	KGV118W		KGV138W		KGV160W		KGV190W	
	1	2	1	2	1	2	1	2
Stage								
D1	Min 150		Min 180		Min 200		Min 250	
D2	118		138		160		190	
D3	110		130		130		190	140
D4	83H7		110H7		110H7		160H7	110H7
D5	50G7		70G7		70G7		110G7	70G7
D6	14H7		19H7		19H7		22H7	19H7
D7	90		99		114		138	138
D8	95H7		115H7		130H7		160H7	
D9	108		128		144		174	
D10	100		120		120		174	124
D11	70		90		90		145	90
K1	61.5	82.5	77.5	92.5	96.5	103.5	125	111
K2	40	55	55	55	60	73	60.5	70.5
K3	19		20	24	31	23	59	32
K4	35	45	45	45	55	60	60	70
K5	10		10		10		42	15
K6	12		15		15		20	
K7	2.5	8.5	2.5	13.5	5.5	7.5	5.5	8.5
K8	4		5		5		8	
K9	22.5		24		36		56.3	42
K10	16.3		21.8		21.8		24.8	21.8
K11	5		6		6		6	6
A	5*M6-12		8*M5-12		6*M6-15		6*M8-20	
B	8*M5-8		6*M6-9		6*M6-12		6*M8-16	
C	4*M6-12		4*M6-12		4*M6-12		4*M8-20	4*M6-12

Note: The gearbox input dimensions would be different for each applied specific motor.



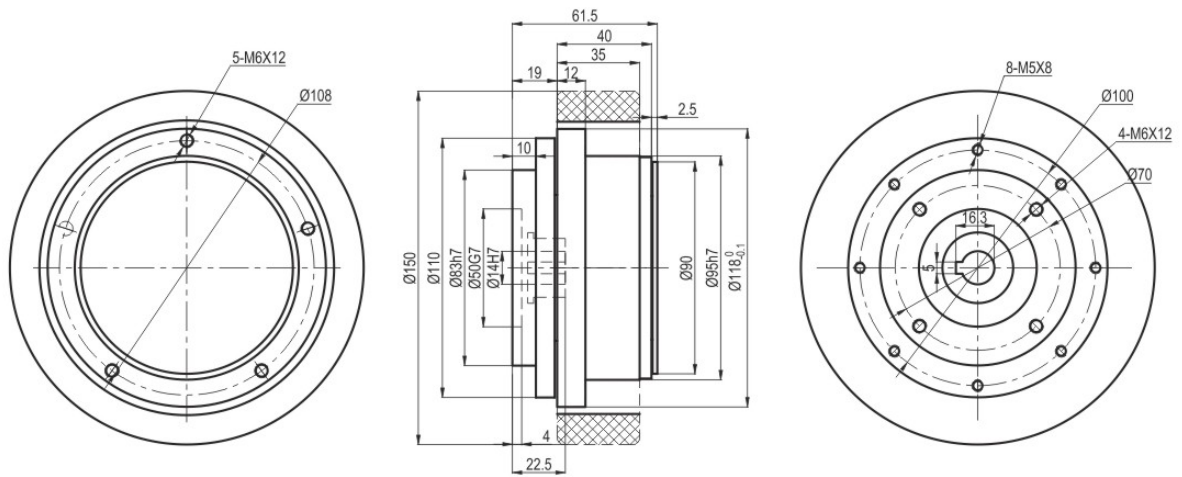
KGV Wheel Dimensions in British System (inch)

Model	KGV118W		KGV138W		KGV160W		KGV190W	
	1	2	1	2	1	2	1	2
Stage								
D1	Min 5.906		Min 7.087		Min 7.874		Min 9.843	
D2	4.646		5.433		6.299		7.481	
D3	4.331		5.118		5.118		7.481	5.512
D4	3.268		4.331		4.331		6.299	4.331
D5	1.969		2.756		2.756		4.331	2.756
D6	0.551		0.748		0.748		0.866	0.748
D7	3.543		3.898		4.488		5.433	5.433
D8	3.741		4.528		5.118		6.299	
D9	4.252		5.039		5.669		6.851	
D10	3.937		4.724		4.724		6.851	4.882
D11	2.756		3.543		3.543		5.709	3.543
K1	2.421	3.248	3.051	3.642	3.799	4.075	4.921	4.371
K2	1.575	2.165	2.165	2.165	2.362	2.874	2.382	2.776
K3		0.748	0.787	0.945	1.221	0.906	2.322	1.260
K4	1.378	1.772	1.772	1.772	2.165	2.362	2.362	2.756
K5		0.394		0.394		0.394	1.654	0.591
K6		0.472		0.591		0.591		0.787
K7	0.098	0.335	0.098	0.532	0.217	0.295	0.217	0.335
K8		0.178		0.197		0.197		0.315
K9		0.886		0.945		1.417	2.217	1.654
K10		0.642		0.858		0.858	0.976	0.858
K11		0.197		0.236		0.236	0.236	0.236
A	5*M6-0.472		8*M5-0.472		6*M6-0.591		6*M8-0.787	
B	8*M5-0.315		6*M6-0.354		6*M6-0.472		6*M8-0.630	
C	4*M6-0.472		4*M6-0.472		4*M6-0.472		4*M8-0.787	4*M6-0.472

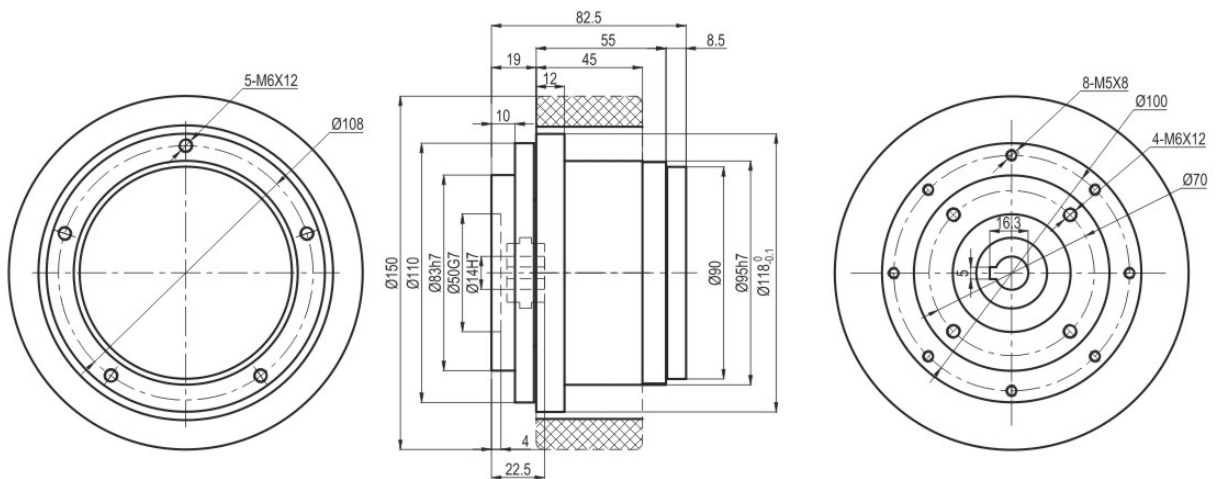
Note: The gearbox input dimensions would be different for each applied specific motor.

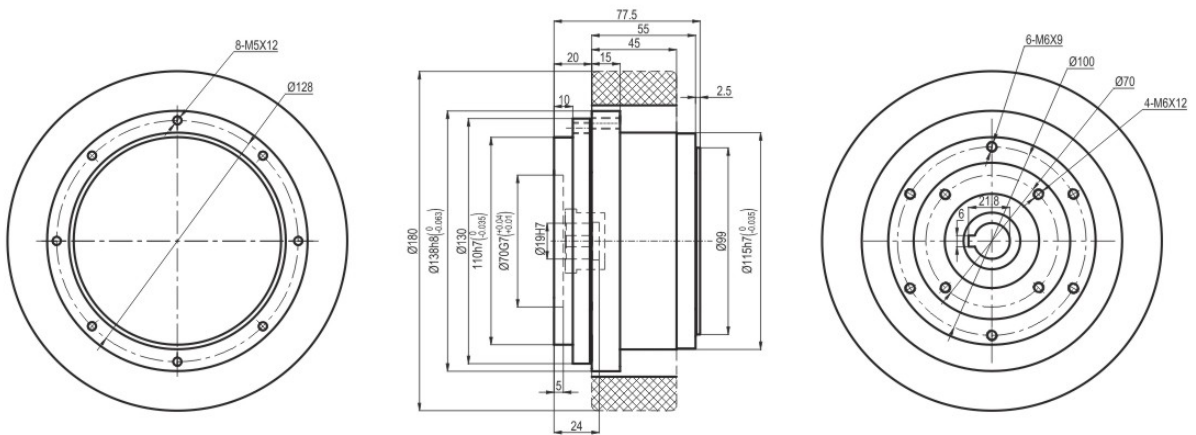
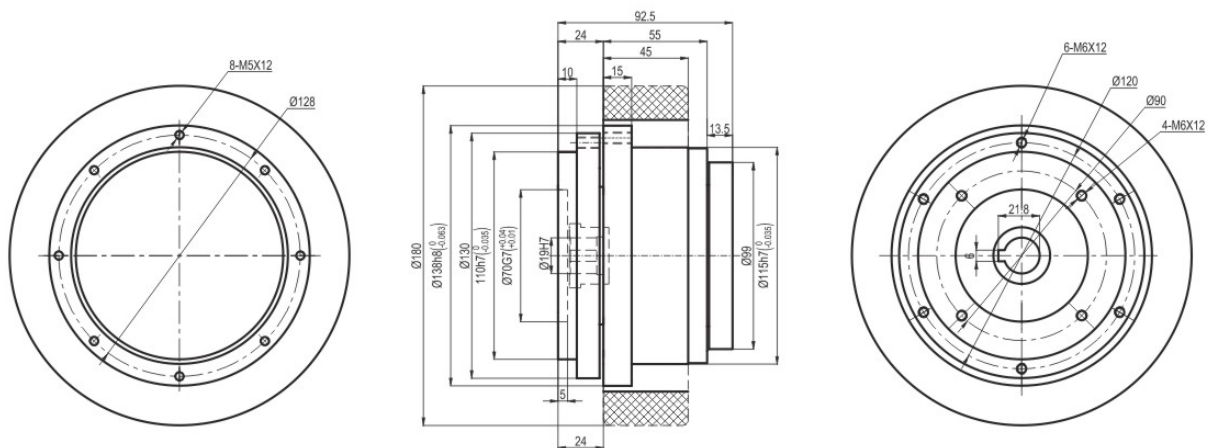
KGV Wheel Dimensions

KGV-118-W-1 stage



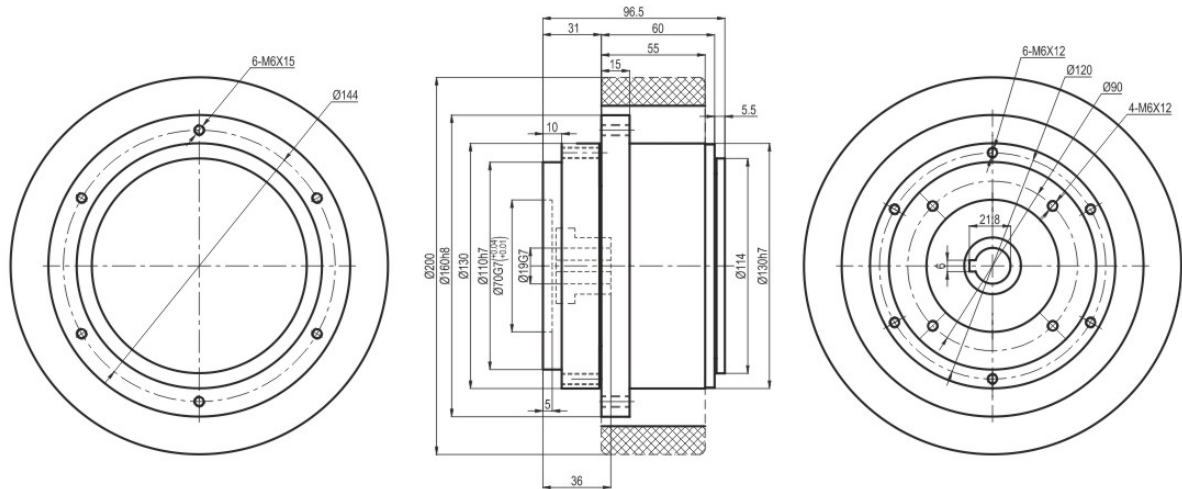
KGV-118-W-2 stages



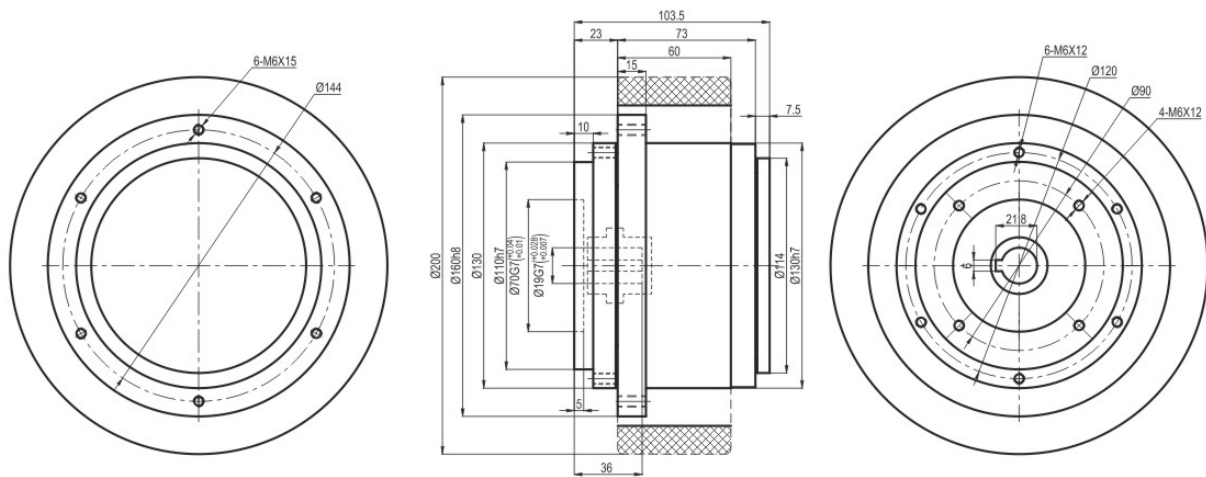
KGV-138-W-1 stage

KGV-138-W-2 stages


KGV Wheel Dimensions

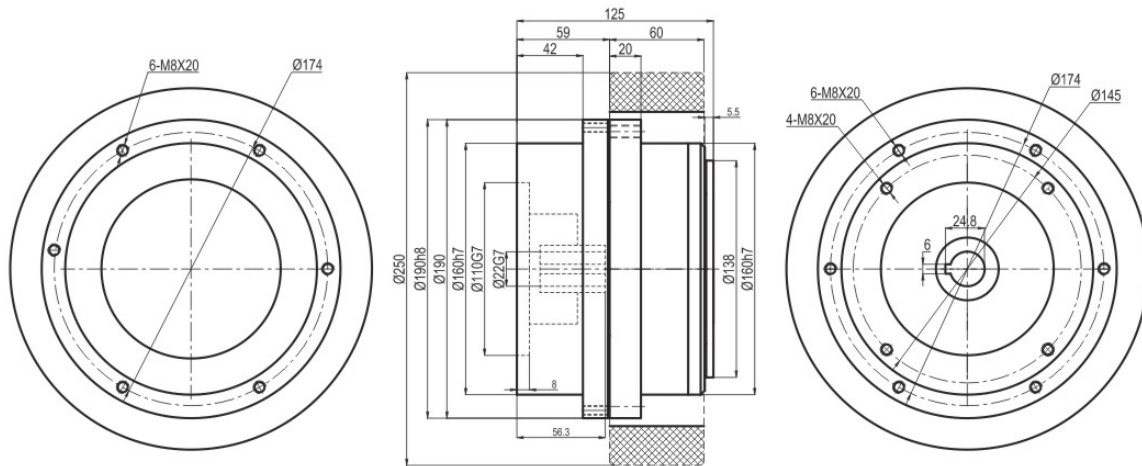
KGV-160-W-1 stage



KGV-160-W-2 stages



KGV-190-W-1 stage



KGV-190-W-2 stages

